

Series GA/GAH

Magnetic Drive Gear Pump

MICROPUMP®

When you need a low-flow pump that delivers high-performance in a small package, Series GA is an excellent solution. Series GA pumps provide precise, pulseless flow, and feature Micropump's patented suction shoe design that allows the pumps to self-compensate for wear ensuring near zero slip and a long pump life. Series GAH extends Series GA to high-system pressure applications making Series GA pumps ideal for a wide-range of low-flow applications.

Suction Shoe Style Pumps

Suction shoe style pumps self-compensate for wear, are excellent for continuous duty processes, and offer improved efficiencies when pumping at higher pressures.

Small Size

The miniature package size of the Series GA/GAH is easily incorporated into the design of many systems.

Leak-Free

The magnetic drive and static o-ring seal(s) keep the fluid securely inside the pump and potential contaminants out.

Smooth Pulseless Delivery

Positive displacement, precision gears provide consistent fluid delivery in continuous processes.

Chemically Resistant

Series GA/GAH has a long life in aggressive environments.

Easy to Service

Series GA/GAH pumps are easy to service using a Micropump® service kit and simple hand tools.

High-System Pressure Capability

Series GAH pumps are designed to withstand system pressures up to 345 bar (5000 psi).



Wide Range of Options and Configurations

Micropump's designs offer the flexibility to customize products to meet your more challenging requirements including:

- ▶ Multiple gear, body, and o-ring materials
- ▶ Optional high-torque magnets
- ▶ NEMA, IEC, I-Drive, and Micropump drive mounts

Innovative Designs

Micropump uses the latest engineering tools and manufacturing equipment to produce the most innovative pumping solutions available. Products are developed using state-of-the-art CAD, Finite Element Analysis (FEA), and rapid prototyping tools to ensure the highest level of product quality and reliability.

Enhanced Efficiency

As part of the IDEX Health & Science Group, Micropump now offers fully-integrated liquid subassemblies, gas management systems, and precision components. Products include Pumps, Valves, Manifolds, Tubing, Fittings, Degassing/Debubbling Systems, Air Compressors, Vacuum Generators, and HPLC Columns. Additional services are custom fluidic engineering and development, contract manufacturing, extrusion, molding, machining, and diffusion bonding.

Performance Summary

Flow Rate at 6000 rpm

- ▶ 552 mL/min (0.146 gpm)

Displacement

- ▶ Gear Set X21 V21 T23
- ▶ mL/rev 0.017 0.042 0.092

Maximum Rated Differential Pressure (with Hex Drive)

- ▶ 5.2 Bar (75 psi)

Maximum Rated System Pressure

- ▶ Standard Series GA 21 Bar (300 psi)
- ▶ High-Pressure Series GAH 345 Bar (5000 psi)

Temperature Range

- ▶ -46–177 °C (-50–350 °F)

Viscosity Range

- ▶ 0.2–1500 cps

Maximum Speed

- ▶ 8000 rpm

Pump Construction

- ▶ Magnetic drive gear pump
- ▶ Suction shoe style
- ▶ Spur gears
- ▶ Stationary shafts
- ▶ PTFE bevel or o-ring seal

Wetted Materials

Base material

- ▶ 316 stainless steel

Gears

- ▶ Carbon Graphite
- ▶ PEEK
- ▶ PPS

Static Seals

- ▶ Viton®
- ▶ PTFE

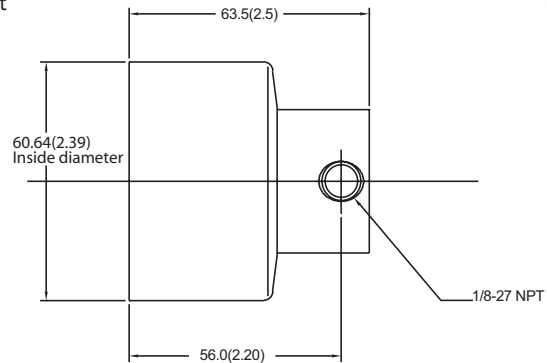
Magnets

Driven and driving

- ▶ Ferrite

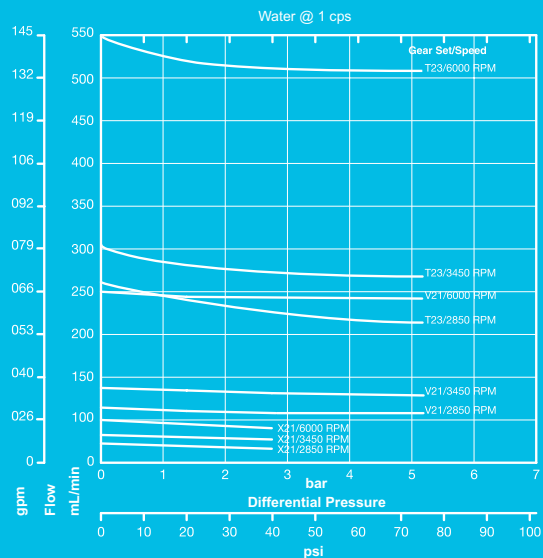
Dimensions

A-Mount



Units: mm(in). Nominal dimensions shown.

Pump Performance



*Higher differential pressures available - consult factory
 *Maximum differential pressure 7 bar(100 psi) with I-Drive option only

ACTUAL PERFORMANCE MAY VARY.

Specifications are subject to change without notice.

©2012 Micropump, Inc., A Unit of IDEX Corporation. Micropump and the Micropump logo are registered trademarks of Micropump, Inc.

REV. 06/12

