

EH MECHANICAL BOOSTER PUMPS - PRODUCT SERVICE RECOMMENDATIONS

Performance optimisation through regular maintenance.

As with all mechanical devices, regular maintenance can help ensure optimised, safe performance of your Edwards EH Series mechanical booster pump. Please refer to the maintenance schedule for recommended maintenance guidelines and intervals*.

Edwards offers oils, greases and component spares for general maintenance of your mechanical booster pump.

** Remember that corrosive or abrasive applications may increase the required frequency of service activities.*



Oil Condition

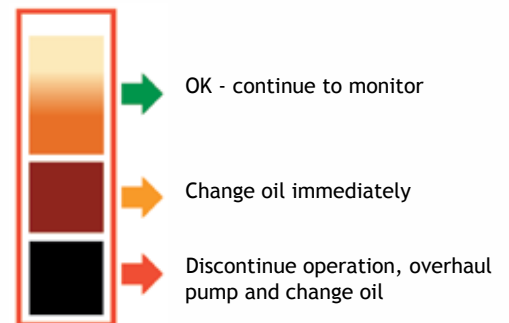
The condition of oil used in mechanical booster pumps deteriorates over time and by contamination from process gases and byproducts, indicated by a progressive change of oil colour. Regular replacement of oil will minimise wear and tear on contacting parts and prolong good vacuum performance. Edwards recommends checks on the oil either daily if the materials being pumped are flammable or weekly for non-flammable materials. Recommendations for replacing the oil and lubricating rear bearing on a yearly basis.

Act responsibly and safely

Edwards cares about the health and safety of people and the environment. Please remember to dispose of used or contaminated oil, cleaning solutions and components responsibly and safely.

Edwards services

If you prefer maintenance of your products to be performed with the assurances and guarantees of OEM standards, Edwards offers a full range of maintenance, overhaul and exchange services that include safe disposal of oil, fluids and used components. Contact us for further information.



MAINTENANCE SCHEDULE

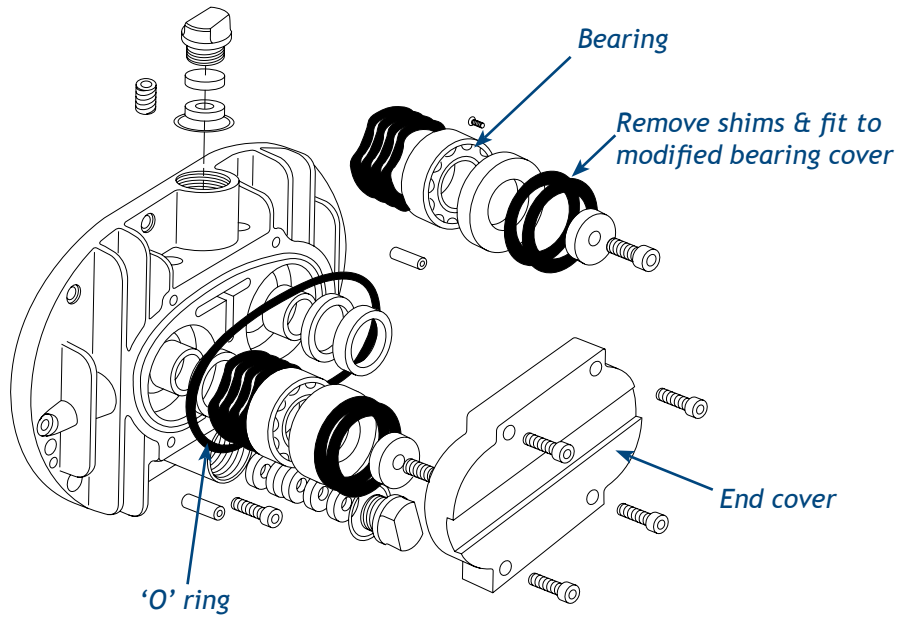
Small Booster series use grease bearings (EH250/500 & QMB250/500)

Recommended Grease:

Fomblin RT15 or Krytox 240AD

Quality of Grease (per bearing):

3cc by volume or 5-6 grams by weight



Maintenance Schedule Interval	Change the oil Yearly		Lubricate bearing Yearly	End cover 'O' ring changed during bearing lubrication
	Mineral oil - Ultragrade 20	PFPE - Fomblin YVAC 16/6	Lubrication - AR555	End cover 'O' ring
EH250	H11024015 x 2		H11350013	H02122091
EH250F		H026001005 x 2	H11350013	H02122091
EH500	H11024015 x 2		H11350013	H02122091
EH500F		H026001005 x 2	H11350013	H02122091
EH1200	H11024015 x 3		H11350013	n/a
EH1200F		H026001005 x 3	H11350013	n/a
EH2600	H11024013 x 2		H11350013	n/a
EH2600F		H026001006 x 2	H11350013	n/a
EH4200	H11024013 x 2		H11350013	n/a
EH4200F		H026001006 x 2	H11350013	n/a

Global Contacts

EUROPE

UK Crawley +44 1293 528844
 UK Local Rate (UK only) 08459 212223
 Belgium Brussels +32 2 300 0730
 France Paris +33 1 4121 1256
 Germany Munich 0800 000 1456
 Italy Milan +39 02 48 4471

USA

Tewksbury, MA +1 978 658 5410
 Toll free (USA only) +1 800 848 9800

ASIA PACIFIC

Taiwan R.O.C. Toufen Town +886 37 611 422
 Singapore +65 6546 8408

BRAZIL

Sao Paulo +55 11 3952 5000

CHINA

Shanghai +86 21 5866 9618

INDIA

Pune +91 20 4075 2222

ISRAEL

Qiryat-Gat +972 8 681 0633

KOREA

Bundang +82 31 716 7070

JAPAN

Yachiyo +81 47 458 8831



WWW.EDWARDSVACUUM.COM

info@edwardsvacuum.com

Rev 01/2009
 Publication Number: A30155895, Issue B
 © Edwards Limited 2009. All rights reserved.
 Edwards and the Edwards logo are trade marks of Edwards Limited.